

Nippon Sharyo Crawler Crane Sprocket



Nippon Sharyo Sprocket Specification:

Technology	Casting
Feature	Heat treated Sprocket
Material	35SiMn
Color	Black or as your request
Type	Bolted and Splined Sprockets/Drive Tumbler
Hot-Sale	DH508 Sprocket, DH608 Drive Tumbler

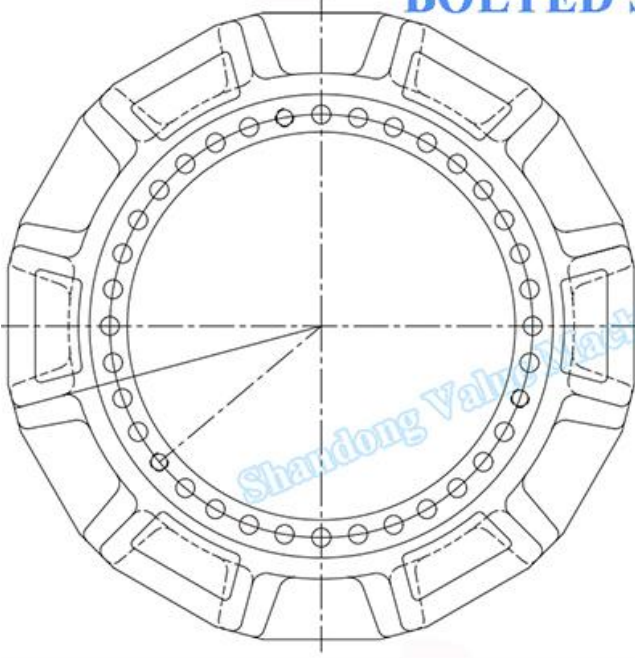
1. Nippon Sharyo Sprockets are suitable for those model:

Nippon Sharyo	DH300, DH308, DH350, DH400, DH408, DH500, DH508, DH600, DH608, DH60-120M, DH650, DH658, DH800, DH900-5, DH900D, DH700, DHP70, DHP80, ED4000, ED5500, etc.
---------------	---

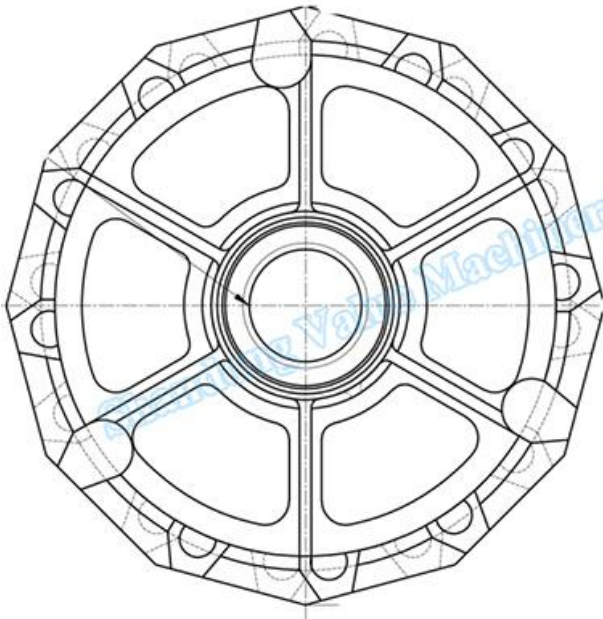
2. Nippon Sharyo Sprocket Type:

There are two different types sprockets for crawler crane — Bolted and Splined Sprocket.
We could check it according to your crawler crane model.

BOLTED SPROCKET



SPLINED SPROCKET



4. Package information and Details:

Generally, 2pcs Nippon Sharyo sprockets are packed in one Pallet, wrapped in Thin film, and put shipping marks on the packages.

PACKAGE & DELIVERY



2pcs Sprockets are packed in one Pallet



Each Package is wrapped in Thin film, and put shipping marks on the packages.



Parts in the Container



Parts are delivered to Port

FAQ

Q

Does the crawler crane Sprocket have heat treatment?

- *Yes, all the Sprocket undergo heat treatment, hardening and tempering.*

Q

What is the warranty period of the top roller?

- *Crawler Crane Top Roller warranty period is 2000 working hours.*
- *After delivery, we will issue quality certificate. If the Top Roller are damaged under normal use in warranty period, new one will be send to you as soon as possible.*

Q

How long is the delivery time?

- *We have parts storehouse covered the area of 3000m².*
- *Most parts are available in stock. If no stock, we will delivery the parts in 15-25 days after getting your final purchasing order.*

Q

Do you provide samples?

- *Yes, we can offer part samples, but the cost shall be borne by you.*

Q

Can you produce parts according to sample or drawing?

- *Yes, our engineers have rich experience in undercarriage parts, they will choose the suitable material and production technology for you.*

Shandong Value Machinery Manufacture Co.,LTD

Add : NO.1 Tianzheng Road,Laishan District,Yantai City,Shandong Province,China

Tel : +86 535 6710636

Fax : +86 535 6710836

E-mail : info@valuetrackpart.com

Website : www.valuetrackparts.com